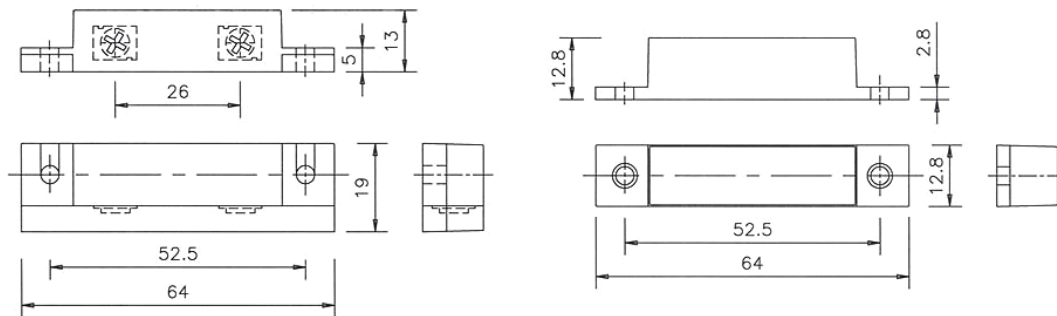
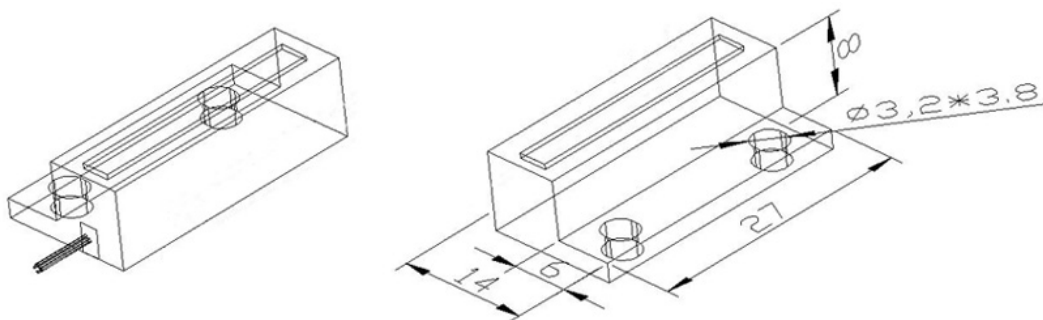


## MC-31



Dimension:	64*19*13mm
Housing:	ABS,idea for wooden door or window ; white,(brown available)
Gap:	15-25mm;(20-25 mm available)
Output:	N.C. (N.O.available)
Package:	
Inner packing:	10sets/PE
Outer packing:	800 sets/carton
Gross Weight:	20.0KG/carton
Remarks	4 screws including for each set
Power:	10W
Voltage:	100VDC
Work Current:	≤0.5A

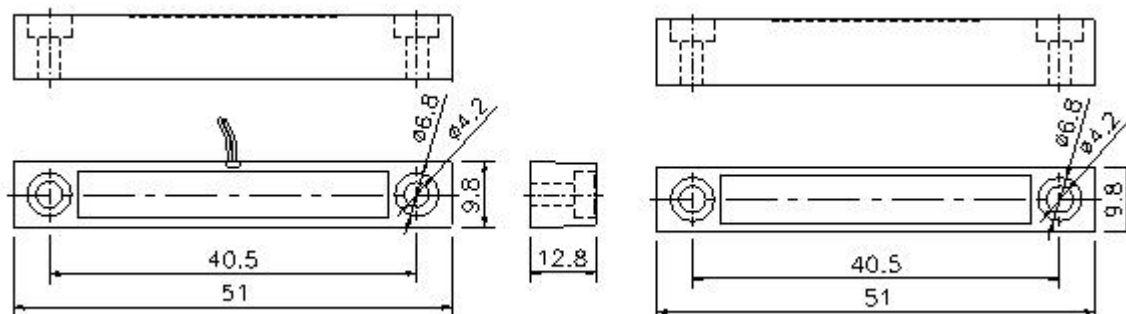
## MC-38



Dimension:	27*14*8mm
Housing:	ABS ,white (brown available)
Gap:	15-25mm; (20-25 mm available)
Output:	N.C. ; (N.O.available)
Package:	
Inner packing:	20sets/PE

Outer packing: 1600 sets/carton  
 Gross Weight: 20.0KG/carton  
 Remarks: 4 screws including for each set  
 Power: 10W  
 Voltage: 100VDC  
 Work Current:  $\leq 0.5A$

## MC-47



Dimension: 51\*9.5\*9.5mm  
 Housing: ABS,idea for wooden door or window ; white  
 Gap: 15-25mm ;(20-25 mm available)  
 Output: N.C.:(N.O.available)  
 Package:  
 Inner packing: 20sets/PE  
 Outer packing: 600 sets/carton  
 Gross Weight: 20.0KG/carton  
 Remarks: 4 screws including for each set  
 Power: 10W  
 Voltage: 100VDC  
 Work Current:  $\leq 0.5A$